

VISCOLAB 450 LABORATORY VISCOMETER

FOR VISCOSITY MEASUREMENTS FROM 0.2 to 10,000 CENTIPOISE (100 Poise)



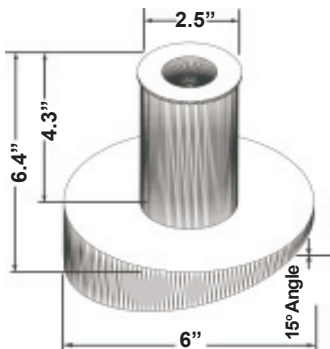
The ViscoLab 450 features a single range with an optional jacket for re-circulating bath temperature control.

Operating Principle

The ViscoLab 450 uses a piston-style electromagnetic sensor with RTD that provides accurate viscosity and temperature readings.

Magnetic force on the piston movement is resisted by viscous flow of fluid around the piston; the more viscous the fluid, the slower the piston motion.

The ViscoLab 450 has an optional fluid re-circulating jacket for temperature control. The jacket can be fitted with various end fittings for adapting to 1/4" metal lines and/or plastic tubing.



Key Features

- Select 1 range
- Easy to read LCD display
- Simple operation
- Fluids measured at ambient temperature
- Requires less than 1 1/2 ml of sample
- Internal temperature probe, RTD
- Easy to clean
- Budget friendly price

Specifications

Range	0.2-2cP, 0.25-5cP, 0.5-10cP, 1-20cP,
Select any single piston range	2.5-50cP, 5-100cP, 10-200cP, 25-500cP, 50-1,000cP, 100-2,000cP, 250-5,000cP, 500-10,000cP
Accuracy	± 1.0% of full scale
Repeatability	± 0.8% of reading
Temperature sensor	Internal platinum, RTD
Wetted material	316L and 430L stainless steel
Maximum particle size	200 microns
Standard cable length	2 feet
Power	100-240 VAC/50-60 Hz
Shipping weight	8 lbs.

Correlates with ASTM D445

Option

Jacket for re-circulating bath and temperature control

rev. 4/24/2006



Cambridge Viscosity

101 Station Landing
Medford, MA 02155 USA
Tel: 781-393-6500 Fax: 781-393-6515
www.cambridgeviscosity.com
Email: info@cambridgeviscosity.com