

SPL571 OILSENSE™ Viscometer



The SPL571 OILSENSE™ is one of the world's smallest viscometers, but don't let its size fool you.

Operating Principle

The SPL 571 OILSENSE™ is used extensively for compressor, used oil analysis, on-engine and hydraulic fluid applications. It is ideal for installations where form factor and small sample volume are important.

Our viscosity management technology is based on a simple and reliable electromagnetic concept. Two coils move the piston back and forth magnetically at a constant force. Proprietary circuitry analyzes the piston's two-way travel time to measure absolute viscosity.

A built-in temperature detector (RTD) senses the actual temperature in the sampling chamber. Constant in and out motion keeps samples fresh, mechanically scrubs the sampling area and provides excellent viscosity tracking.

Measurements can be made in any of 6 different 20:1 viscosity ranges between 0.5 and 500 centipoise (cP).

Recommended fluid flow over the sensor is up to 30 cm/sec.

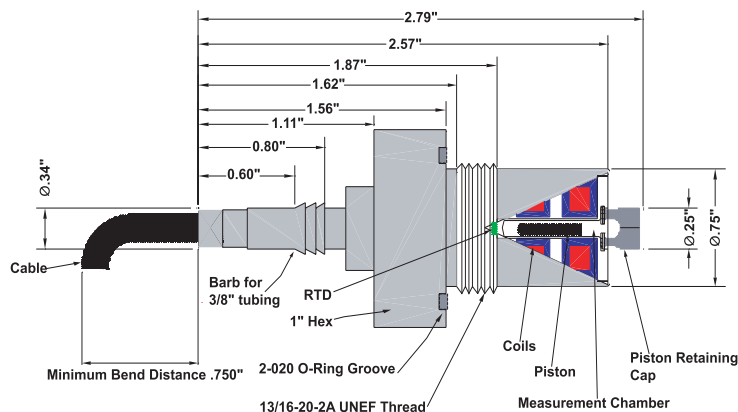
Options

- Multiple Ranges (one piston per range)
- Additional Cable
- *High Pressure System (also available)

Key Features

- Easily installed and serviced
- Internal platinum temperature probe
- Simple to clean
- No seals
- Proven technology
- Mates to 13/16-20 UNEF threaded opening

The SPL571 OILSENSE™ correlates with ASTM D445



Specifications

Viscosity	0.5 to 500 centipoise (cP)
Piston Ranges	0.5-10cP, 1-20cP, 2.5-50cP*, 5-100cP, 10-200cP, 25-500cP*
Accuracy	±1.0 %
Repeatability	±0.8% of Reading
Temperature Sensor	4 wire internal RTD
Wetted Materials	316L and 430 Stainless Steel
Maximum Particle Size	25-100 Microns (Range Dependent)
Max Ambient Temperature	190°C
Max Operating Pressure	70.3 bar
Standard Cable Length	1meter
Power	Sensor requires either ViscoPro 1000 or 2000 electronics

*requires ViscoPro 2000 electronics



Cambridge Viscosity

101 Station Landing
Medford, MA 02155 USA
Tel: 781-393-6500 Fax: 781-393-6515
www.cambridgeviscosity.com
Email: info@cambridgeviscosity.com