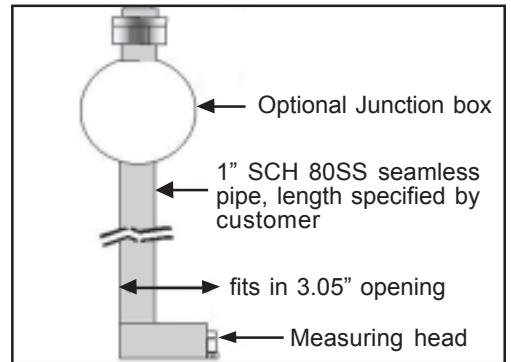


300 Series In-Tank Sensor Options



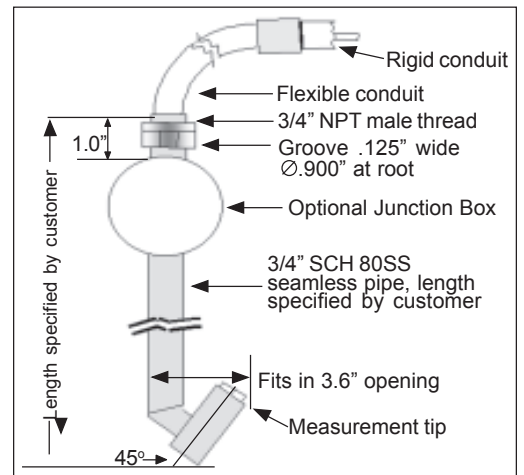
SPL 321

The SPL321 is used applications where agitation is low and/or cleaning/flushing of the process fluids or particles may be issues. The sensor head is attached to its stem at a 90° angle. The SPL-321 has 1" (25.4mm) NPT threads just above the sensor head and can be fitted to any pipe configuration without welding. Typical stem lengths can vary from 1-18 feet.



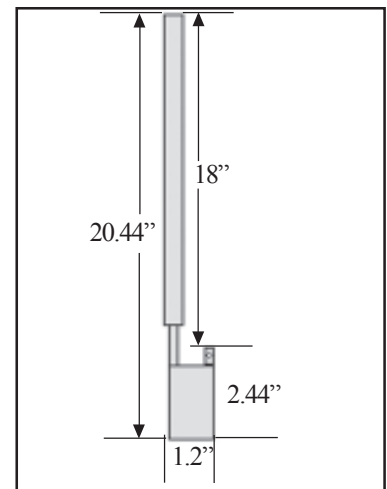
SPL 322

The SPL322 is typically used in permanent in-tank mounted applications. It is recommended where the tanks have good agitation, employ regular cleaning/flushing and in fluid processes where entrained air bubbles can be an issue. The sensor head is permanently mounted at a 45° angle. Stem lengths from 1-18 feet are available.



SPL 324

The model SPL324 has a diameter of 1.2" (30.5mm) suitable for a 45/50 mm port. The stem length of 18" (45.7cm) long and 1/2" (12.7mm) in diameter. It is best used in fluid volumes of 1 gallon (3.8L) or larger. This sensor is **not** rated for use in hazardous environments.



Available Technical Specifications for all Sensor Models

Sensor Range	0.2-20,000cP (0.2-2cP, 0.25-5cP, 0.5-10cP, 1-20cP, 2.5-50cP, 5-100cP, 10-200cP, 25-500cP, 50-1,000cP, 100-2,000cP, 250-5,000cP, 500-10,000cP, 1,000-20,000cP)
Sensor Type	Electromagnetic-U.S. and Worldwide patents granted and applied
Wetted Components	316L / 430 Stainless Steel
Maximum Temperature	375°F (190°C)
Maximum Operating Pressure	1000 psi (70.3 bar)
Temperature Sensor Type	4 wire Platinum RTD
Compatible Electronics	ViscoPro 2000/1600/1500, ViscoFuel 2000/1600
Certifications- SPC/L321 & SPC/L322 ONLY	CE, ATEX - EExdIIC Factory Mutual - Class 1 Div.1, Group C,D:T3 NEMA4,IP-66

***NOTE: ALL ATEX SENSORS ARE SPL ONLY (L = hard wired, C = connector)**



Cambridge Viscosity

Correlates to ASTM D445

Rev. 4/12/2006

101 Station Landing
Medford, MA 02155 USA
Tel: 781-393-6500 Fax: 781-393-6515
www.cambridgeviscosity.com
Email: info@cambridgeviscosity.com